

24 Series BEHT

Fiber Upgradable Building Entrance Terminals

Copper BET Upgradable to
Wallmount Fiber Enclosure

Saves Time and Cost
on Installations

Future-Proof Your Network

Available with Factory Loaded
Pigtails



Tii Technologies Inc.

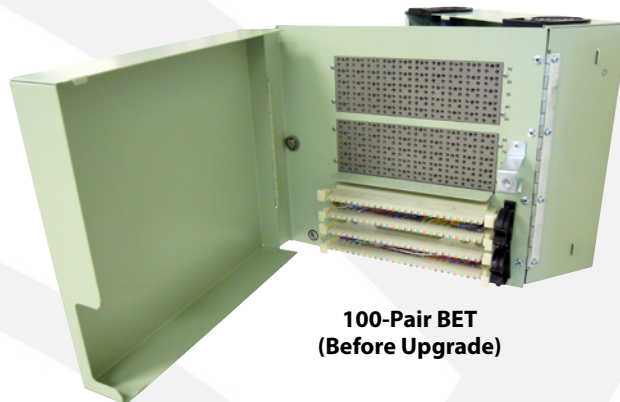
Corporate Headquarters:

141 Rodeo Drive
Edgewood, NY 11717
Phone: 631.789.5000 • Fax: 631.789.5063
Toll Free: 888.844.4720
sales@tiitech.com

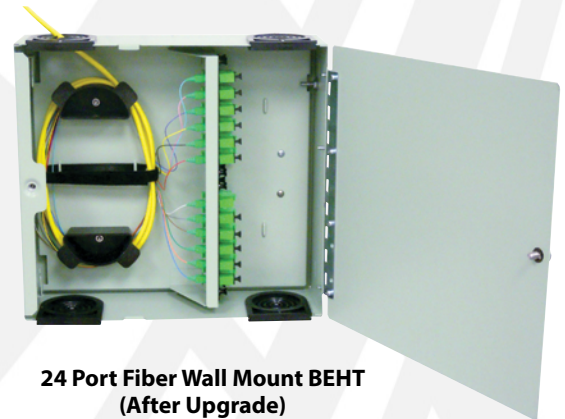
Locations:

South March
Long March Industrial Estate
Daventry, Northamptonshire, NN11 4PH, UK
Phone: +44 (0) 1327 301853
Fax: +44 (0) 1327 879532
sales@tiitech.co.uk

Av. José de Escandón y Helguera
No. 21 Ciudad Industrial
Matamoros, Tamaulipas, C.P. 87494, México
Phone: 868.812.8011 • Fax: 868.812.8025
salesmx@tiitech.com.mx



**100-Pair BET
(Before Upgrade)**



**24 Port Fiber Wall Mount BEHT
(After Upgrade)**

Our 2400 series 110 in/out are upgradable to fiber optic wall mount units, allowing you to future proof your networks. For copper applications, this unit is designed for use at the point of demarcation to safeguard communications equipment from damaging electrical surges that may get onto incoming lines.

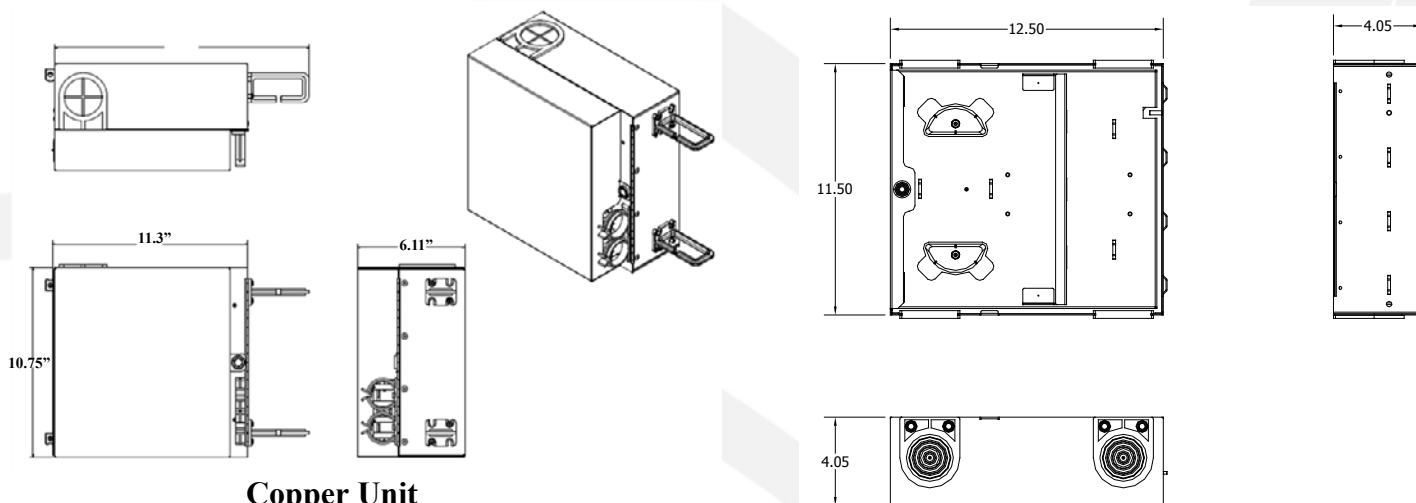
KEY PRODUCT BENEFITS

- ▶ Upgradable to a wall mount patch and splice fiber unit.
- ▶ Fiber upgrade version available in 6, 8, 12, and 24 ports.
- ▶ Manufactured from 18 awg epoxy powder coated steel.
- ▶ Available with a variety of termination choices and in 25, 50, and 100-pair configurations.
- ▶ Splice chamber in rear of unit for easy input cable maintenance.
- ▶ Utilizes industry standard 5-pin protector modules.

INDUSTRY STANDARDS

- ▶ Listed to UL 497 for primary and secondary protection.

24 Series BEHT



Copper Unit

Dimensions are in Inches

ORDERING INFORMATION FOR BUILDING ENTRANCE TERMINALS

Model #	Pair Count	Input	Output	Pin Configuration	Protectors Installed	Cover
24025-110-M110C	25	110	110	Five	No	Yes
24025-110-M110PC	25	110	110	Five	Yes	Yes
24025-710-M110C	25	710	110	Five	No	Yes
24025-MS2-M110C	25	MS2	110	Five	No	Yes
24050-110-M110C	50	110	110	Five	No	Yes
24050-110-M110PC	50	110	110	Five	Yes	Yes
24050-710-M110C	50	710	110	Five	No	Yes
24050-MS2-M110C	50	MS2	110	Five	No	Yes
24100-110-M110C	100	110	110	Five	No	Yes
24100-110-M110PC	100	110	110	Five	Yes	Yes
24100-710-M110C	100	710	110	Five	No	Yes
24100-MS2-M110C	100	MS2	110	Five	No	Yes

Units with protectors installed have Model # 175-3C1EW-NL

ORDERING INFORMATION FOR FIBER UPGRADE KIT

BEHT	-X	PGP	XXX	X	XX	X
	Chassis		Fiber Ports	Fiber Type	Adapters	Pigtails & Splice Trays
	1 - 1 Plate Mini 2 - 2 Plate 4 - 4 Plate		006 008 012 024	R - Singlemode K - MM62.5 OM1 C - MM50 OM2 S - MM50 OM3	FC - FC FA - FC APC LC - LC SC - SC SA - SC APC ST - ST	N - None 5 - 250um MIC 9 - 900um MIC R - 12 Fiber Ribbon