

FAT1 Series

Fiber Access Termination Unit

UV and Impact Resistant
Accommodates 1 Fiber Port
Direct Termination
SC-UPC, SC-APC Interface
IP55 Rated



The FAT 1 Series is a compact, outdoor wall mount fiber termination and distribution enclosure. This unit is typically used as an Optical Demarcation Point.



Tii Technologies Inc.

Corporate Headquarters:

141 Rodeo Drive
Edgewood, NY 11717
Phone: 631.789.5000 • Fax: 631.789.5063
Toll Free: 888.844.4720
sales@tiitech.com

Locations:

South March
Long March Industrial Estate
Daventry, Northamptonshire, NN11 4PH, UK
Phone: +44 (0) 1327 301853
Fax: +44 (0) 1327 879532
sales@tiitech.co.uk

Av. José de Escandón y Helguera
No. 21 Ciudad Industrial
Matamoros, Tamaulipas, C.P. 87494, México
Phone: 868.812.8011 • Fax: 868.812.8025
salesmx@tiitech.com.mx

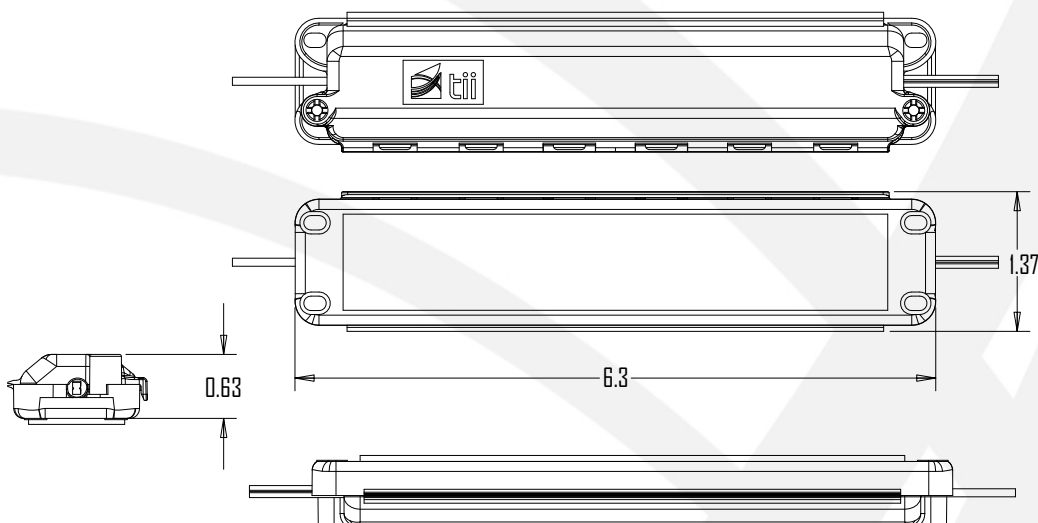
KEY PRODUCT BENEFITS

- ▶ Accommodates SC-UPC and SC-APC connectors.
- ▶ Compact design can terminate 1 fiber connection.
- ▶ Direct termination.
- ▶ Wall mountable

INDUSTRY STANDARDS

- ▶ IP55 Rated

FAT1 Series



Dimensions shown are in Inches

SPECIFICATIONS

Property	Value
Interface	1 port SC-UPC or SC-APC
Physical Dimensions	1.37" (H) x 6.30" (W) x 0.63" (D)
Material	Molded Plastic, Black

ORDERING INFORMATION

Model No.	Description
FAT1R1SAN	1 Port Patch Panel SC-APC
FAT1R1SCN	1 Port Patch Panel SC-UPC